



118

EXAMINATION COUCH • FIXED HEIGHT



118

STANDARD FEATURES

18/10 welded stainless steel frame structure with shiny polished or white epoxy finish

Gas-spring assisted backrest

Paper roll holder, max length 50 cm - ø 20 cm (head-end)

Patient weight capacity 200kg

Electrical medical device class 2

Not available in class 1



COMFORT

- > Large choices of upholsteries
- > Gas spring assisted backrest
- > 2 heights available : 65 cm for echographies
82 cm for general examination



ACCESSIBILITY

- > Height with upholstery 65 or 82cm
- > Access for feet under the couch



SAFETY

- > Patient weight capacity : 200 kg
- > Fully welded frame



HYGIENE

- > Stainless steel frame
- > All the outer parts are cleanable

Capacity



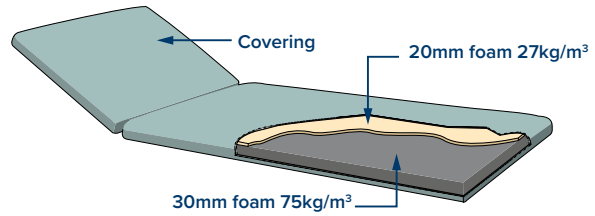
200 kg



Models	Polished frame	
	Levellers	4 castors with brakes 100 mm
82 cm	118-10	118-15
65 cm	118-20	118-25

UPHOLSTERY

All models, to order separately



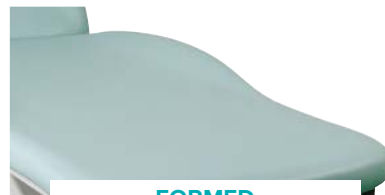
FLAT

Width 65 cm **600150-65**
Width 75 cm **600150-75**



LATERAL PADDINGS

Width 65 cm **600151-65**
Width 75 cm **600151-75**



FORMED

Width 73 cm **600150-70**

OPTIONS*

*Plant installed, must be ordered with initial order



81036

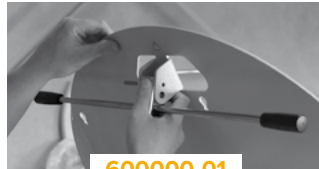
Set of 4 double castors with brakes \varnothing 50 mm (incompatible with model 118)

For upholstery
65 cm 75 cm



2231-65 | **2231-75**

Face cutout in head cushion only with flat upholstery 600150-65 / 600150-75



600000-01

Factory assembly fitting of upholstery



85114-01

Pair of barriers
Incompatible with 166, 985-01, 2985-01



166

Pair of clamps



850+166

Pair of stirrups



840+166

Pair of legrests



861

Pair of covers for legrests



2536+166

Armrest



2537

Cover for armrest (unit)



2054-01

Headrest not compatible with lateral padding upholstery



2055-01

Backrest extension not compatible with formed upholstery



1102-10

Headrest



901-10

Footstep



2056-02

Adjustable paper-roll holder (head-end)
(350-800 mm, \varnothing 200 mm)



2057-02

Adjustable paper-roll holder (foot-end)
(480-610 mm, \varnothing 200 mm)



985-01+166

2 hook IV pole



2985-01+166

Auto-locking 2 hook IV pole

ACCESSORIES

NET WEIGHT : 47 KG
 GROSS WEIGHT : 53 KG
 PACKAGE VOLUME : 1.35 M³

CHOICE OF M1 ANTIBACTERIAL
 FIRE-RETARDANT UPHOLSTERY

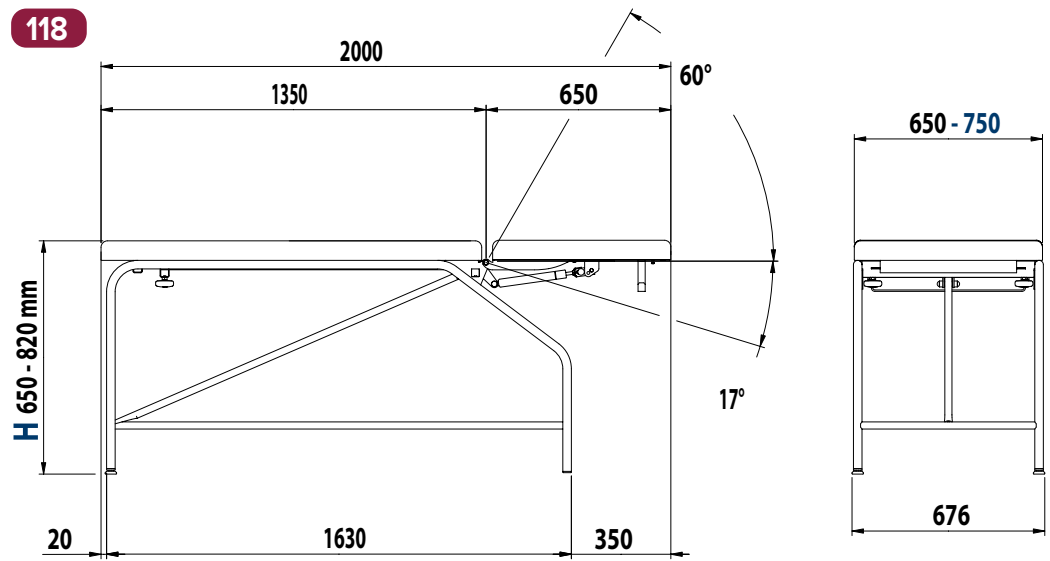
CLASSIC RANGE

- CA - TOMATO
- CB - FUCHSIA
- CC - PLUM
- CD - LEMON
- CE - PEACOCK
- CF - SAPHYR
- CG - MIDNIGHT BLUE
- CH - GLACIER
- CI - DARK
- 57 - ANTISTATIC
- CJ - GREY
- CK - PLATINUM

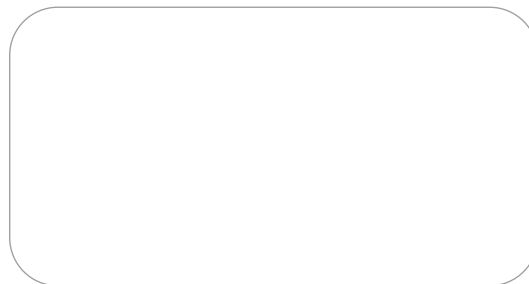
ELEGANT RANGE*

- EA - DEEP GREEN
- EB - VEGETAL
- EC - STORM
- ED - SILVER BLUE
- EE - PAPRIKA
- EF - TWILIGHT
- EG - CAMEL
- EH - CORK

* The Elegance range is subject to the application of a price supplement. Please refer to the price list.



FE-13/22



Distributed by:



WWW.PROMOTAL.NZ
 WWW.PROMOTAL.COM.AU