



Fidji

EXAMINATION COUCH FIXED HEIGHT



Fidji

STANDARD FEATURES

- Light grey epoxy polyester coated steel frame
- Gas spring assisted backrest
- Paper roll holder, max length 50 cm - ø 20 cm (Head-end)
- Patient weight capacity 200kg



COMFORT

- > Light weight
- > Gas spring assisted backrest



ACCESSIBILITY

- > Height with upholstery 81 cm
- > Access for feet under the couch



SAFETY

- > Patient weight capacity : 200 kg
- > Fully welded frame
- > 4 adjustable levellers for an optimum stability
- > Upholstery with class M1 flame retardant covering



HYGIENE

- > All the outer parts are cleanable

Capacity



200 kg

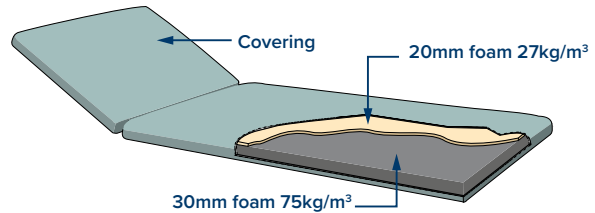


10110-10 + 600150-70

Models	Epoxy frame	
	Levellers	4 castors with brakes 100 mm
82 cm	4118-10	4118-15
65 cm	4118-20	4118-25

UPHOLSTERY

All models, to order separately



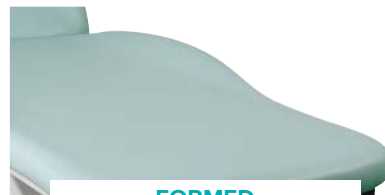
FLAT

Width 65 cm **600150-65**
Width 75 cm **600150-75**



LATERAL PADDINGS

Width 65 cm **600151-65**
Width 75 cm **600151-75**



FORMED

Width 73 cm **600150-70**

OPTIONS*

*Plant installed, must be ordered with initial order



81036

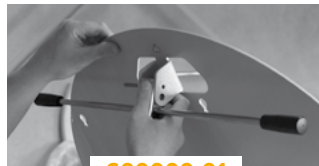
Set of 4 double castors with brakes ø 50 mm (incompatible with model 118)



For upholstery
65 cm 75 cm

2231-65 | **2231-75**

Face cutout in head cushion only with flat upholstery 600150-65 / 600150-75



600000-01

Factory assembly fitting of upholstery



85114-01

Pair of barriers
Incompatible with 166, 985-01, 2985-01



166

Pair of clamps



850+166

Pair of stirrups



840+166

Pair of legrests



861

Pair of covers for legrests



2536+166

Armrest



2537

Cover for armrest (unit)



2054-01

Headrest not compatible with lateral padding upholstery



2055-01

Backrest extension not compatible with formed upholstery



1102-10

Headrest



901-10

Footstep



2056-02

Adjustable paper-roll holder (head-end) (350-800 mm, ø 200 mm)



2057-02

Adjustable paper-roll holder (foot-end) (480-610 mm, ø 200 mm)



985-01+166

2 hook IV pole



2985-01+166

Auto-locking 2 hook IV pole

ACCESSORIES

FIDJI

NET WEIGHT : 75 KG

GROSS WEIGHT : 85 KG

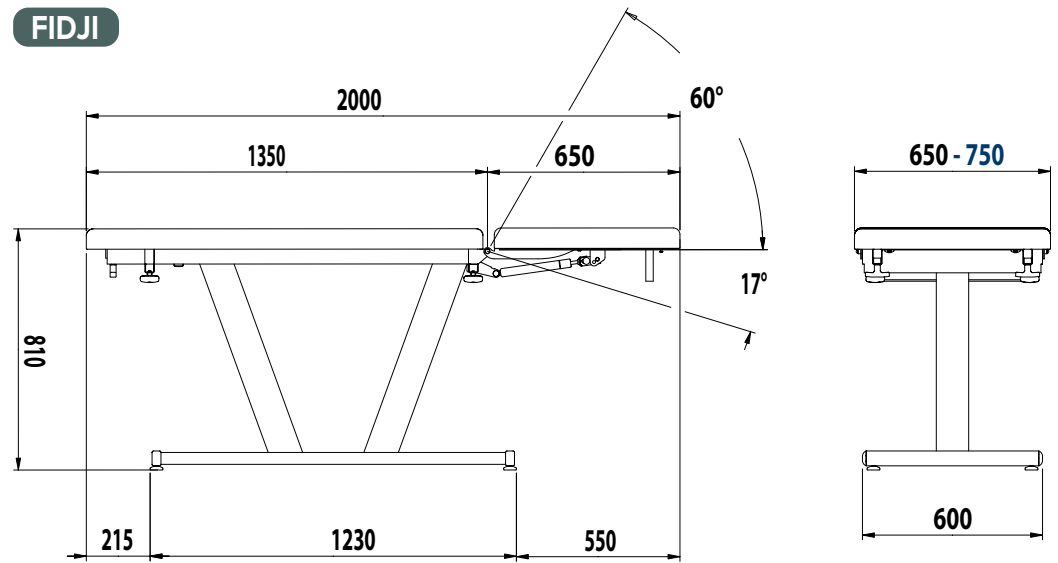
PACKAGE VOLUME : 1,07 M³

CHOICE OF M1 ANTIBACTERIAL
FIRE-RETARDANT UPHOLSTERY

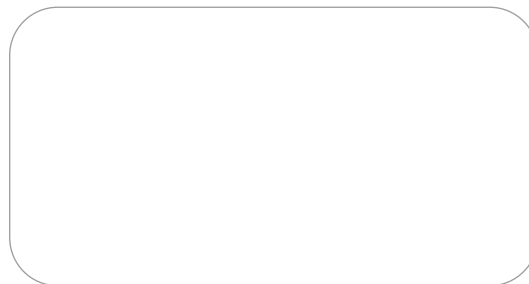
- CLASSIC RANGE
- CA - TOMATO
 - CB - FUCHSIA
 - CC - PLUM
 - CD - LEMON
 - CE - PEACOCK
 - CF - SAPHYR
 - CG - MIDNIGHT BLUE
 - CH - GLACIER
 - CI - DARK
 - 57 - ANTISTATIC
 - CJ - GREY
 - CK - PLATINUM

- ELEGANT RANGE*
- EA - DEEP GREEN
 - EB - VEGETAL
 - EC - STORM
 - ED - SILVER BLUE
 - EE - PAPRIKA
 - EF - TWILIGHT
 - EG - CAMEL
 - EH - CORK

* The Elegance range is subject to the application of a price supplement. Please refer to the price list.



FE-13/22



Distributed by:



WWW.PROMOTAL.NZ
WWW.PROMOTAL.COM.AU