



ICONA



Duolys[®]

COMBINED EXAMINATION COUCH - ELECTRIC VARIABLE HEIGHT

Version : 03-2022



Duolys®

LE DIVAN D'EXAMEN LE PLUS POLYVALENT DE SA CATÉGORIE !
THE MOST VERSATILE COUCH OF ITS CATEGORY!



COMFORT

- > Electric central backrest
- > Large version 73 cm upholstery
- > Smooth electrical motions
- > Double gas spring assisted backrest
- > Integrated stirrups (on specific models only)
- > Possibility of 2 extra control connections



ACCESSIBILITY

- > Variable height from 56 to 96 cm
- > Compatible with a hoist



SAFETY

- > Tried and tested stability of the table
- > Trendelenburg and reverse Trendelenburg
- > M1 fire retardant upholstery (depending on the color, see color chart)
- > 200 kg patient weight capacity
- > Adjustable levellers under base



HYGIENE

- > Exclusive Block'n Roll system (models 2065-30/2060-30/2064-30)
- > Removable seamless waterproof seat rest
- > Covering with antibacterial protection (depending on the color, see color chart)
- > 2 paper roll holders
- > Removable sliding plastic pan
- > All exposed parts are cleanable

Products shown with options/accessories



Variable height

56 / 96 cm

Lying surface

73 x 200 cm

Capacity

200 kg



WELCOME



HIGH POSITION



GYNECOLOGY



REVERSE TRENDELENBURG



TRENDELENBURG

STANDARD FEATURES

Electric variable height from 56 to 96 cm
 Steel frame structure with white epoxy finish
 Trendelenburg / Reverse Trendelenburg
 Gas-spring assisted external backrest
 Electric central backrest
 73 cm upholstery width reinforced sides
 Removable seamless waterproof seatrest
 Hand control
 Adjustable levellers under base
 Removable sliding plastic pan (6 litre capacity)
 2 paper roll holders (max length 60 cm - ø 15 cm)
 Mobile hoist compatibility clearance of 12 cm
 Possibility of 2 extra control connections
 200 kg patient weight capacity (tested at a dynamic weight of 250 kg and a static weight of 800 kg)
 Electrical medical device class 2 / Not available in class 1

2065-10

Levelers - integrated stirrups

2065-30

Block'n Roll® -- integrated stirrups

2060-30

Block'n Roll® - stirrups with clamps

2064-30

Block'n Roll® - legrests with clamps

OPTIONS*

*Plant installed, must be ordered with initial order

ACCESSORIES



2061-78

Pair of rails with clamps ø 16 mm & 18 mm (instead of clamps) (réf./ref. 2060-30 / 2064-30)



81036

Set of 4 double castors with brakes ø 50 mm (ref. 2065-10)



2061-30

Urology bowl instead of standard bowl

SPECIFIC ACCESSORIES for models 2065-10 and 2065-30



840 + 25351

Pair of legrests (without cover)



850

Pair of stirrups



2065-78

Pair of rails with clamps ø 16 mm & 18 mm



12845

Pair of goepfels (with covers)



12850

Pair of stirrups with coating

COMMON ACCESSORIES all models



166

Pair of clamps ø16 mm



856

Pair of handgrips



861

Pair of legrests covers



2536

Armrest (unit)



2537

Armrest cover (unit)



2061-20

Plastic pan with evacuation system (in addition to the standard bowl)



Lampes/Lamps + 166

Refer to the literature



12677-01

Splash guard cover



1102-10

Headrest



25351

Pair of screwed clamps ø 16 & 18mm (not compatible with ref. 2061-78)



878-12

Sliding clamp for 25x10 mm rail, ø 16/18 mm



85114-01

Pair of barriers



2051-34

Foot control



2985-01

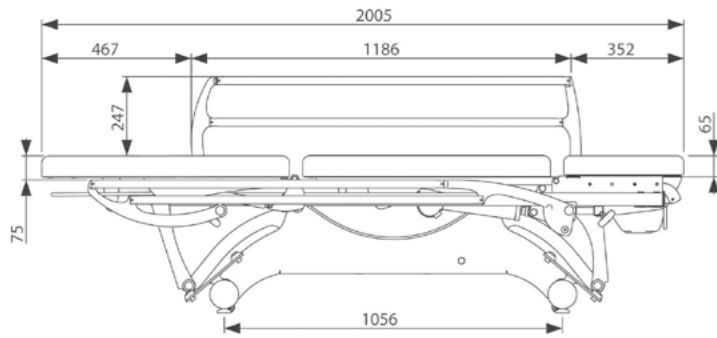
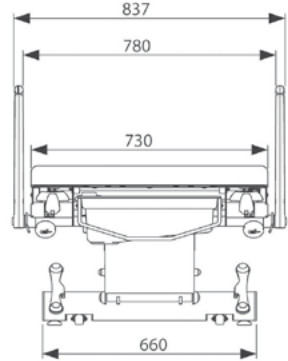
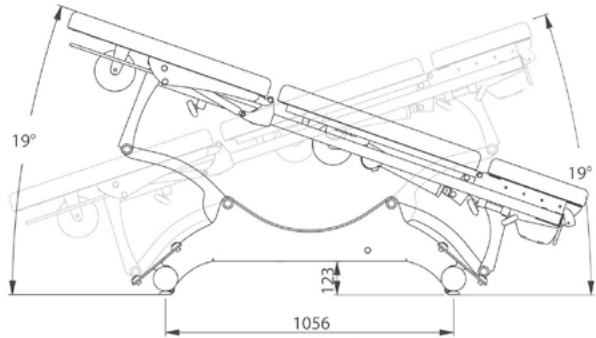
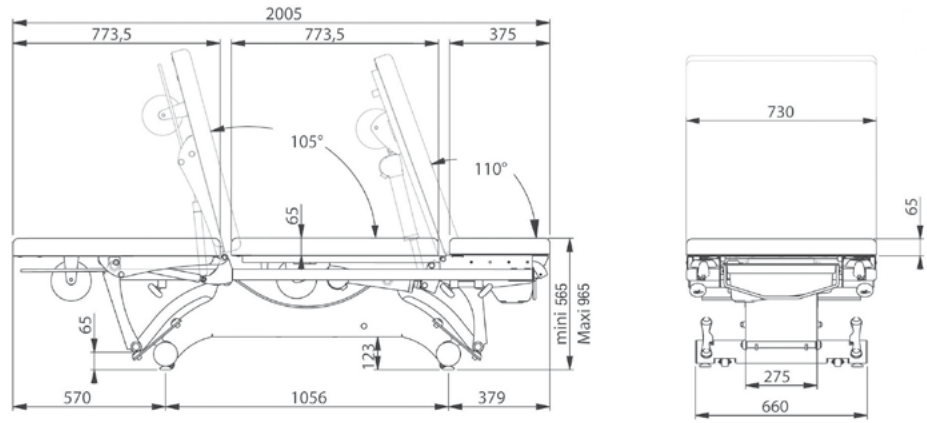
Auto-locking 2 hook IV pole

NET WEIGHT : 133 KG
 GROSS WEIGHT : 177 KG
 PACKAGE VOLUME : 1,472 M³

**CHOICE OF M1 ANTIBACTERIAL
 FIRE-RETARDANT UPHOLSTERY**

- CLASSIC RANGE**
- CA - TOMATE
CA - TOMATO
 - CB - FUCHSIA
CB - FUCHSIA
 - CC - PRUNE
CC - PLUM
 - CD - CITRON
CD - LEMON
 - CE - PAON
CE - PEACOCK
 - CF - SAPHIR
CF - SAPHYR
 - CG - BLEU MINUIT
CG - MIDNIGHT BLUE
 - CH - GLACIER
CH - GLACIER
 - CI - OBSCURE
CI - DARK
 - 57 - ANTISTATIQUE
57 - ANTISTATIC
 - CJ - GRIS
CJ - GREY
 - CK - PLATINE
CK - PLATINUM

- ELEGANT RANGE***
- EA - VERT PROFOND
EA - DEEP GREEN
 - EB - VÉGÉTAL
EB - VEGETAL
 - EC - ORAGE
EC - STORM
 - ED - BLEU ARGENTÉ
ED - SILVER BLUE
 - EE - PAPRIKA
EE - PAPRIKA
 - EF - CRÉPUSCULE
EF - TWILIGHT
 - EG - CAMEL
EG - CAMEL
 - EH - LIÈGE
EH - CORK



FE-13/22



* The Elegance range is subject to the application of a price supplement. Please refer to the price list.



PROMOTAL.NZ
 PROMOTAL.COM.AU

communication - Dans un souci constant d'amélioration de nos matériels, nous nous réservons le droit de les modifier sans préavis / Our products are subject to improvement changes without prior notice