

TWEEGY[®]

ICONA



Updated: February 2022

 PROMOTAL[®]

TWEEGY®

The Tweegy is the simplest transfer chair ever designed.

Small, stackable and very easy to use, Tweegy is the solution that will allow you to facilitate patient transport and improve the organisation flow. After visiting more than 50 health care facilities, Promotal has focused on designing a transfer chair that is adapted and adaptable to the needs of both staff and patients. Easy to configure and accessorise, the Tweegy evolves and will evolve with your needs! Tweegy, make it easy!

RÉF. 60140-01

TWEEGY
TRANSFER
CHAIR



ERGONOMICS

- No more need to handle accessories directly integrated in the chair
- No need to lean down any more thanks to well placed action zones
- Well-made back and seat tilt for optimal patient comfort
- Vertical handles to suit all morphologies
- Centre of gravity towards rear for better handling
- Accommodates up to 200 kg



ECONOMY

- Stackable saving up to 48% more space
- Versatile product thanks to a wide range of accessories that you can add now or later
- Developed in collaboration with a team of designers for a timeless appearance
- Solid and durable materials
- Document holder included



SAFETY

- Simple and quick identification by service (by colour or lettering)
- Intuitive braking system
- Perfect hygiene thanks to flat or tubular surfaces without any possible dust retention
- Retractable footrests and armrests for easy access and exit
- Easy access and exit from the chair

TWEEGY[®]

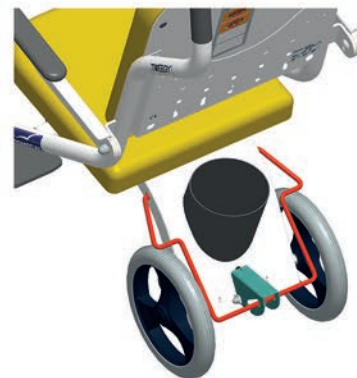
AVAILABLE ACCESSORIES



RÉF. 60141-01
HEADREST



RÉF. 50143-01
HARNESS



RÉF. 60145-01
BOTTLE HOLDER
(Ø MAXI 155)



RÉF. 60149-01
INTEGRATED ADJUSTABLE
LEGREST (X2)



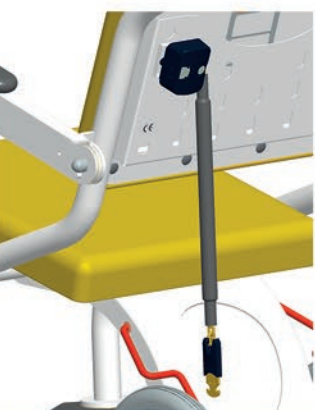
SP - TWEEGY
IDENTIFICATION PLATES (X2)



RÉF. 60147-20
LOCK MECHANISM + TOKEN
CHAIN (+10 TOKENS)



RÉF. 50147-21
STARTING CHAIN FOR
50147-20 / 60147-20



RÉF. 60147-10
LOCK MECHANISM
+ 1 EURO COIN CHAIN



RÉF. 50147-11
STARTING CHAIN FOR
50147-10 / 60147-10

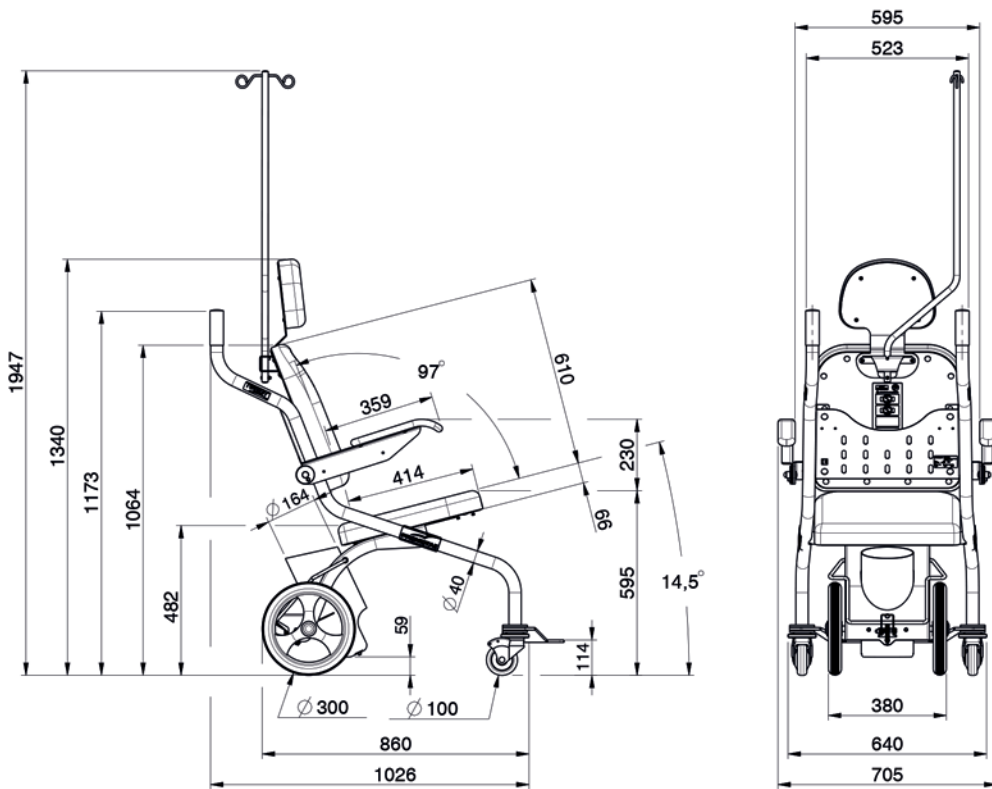


RÉF. 50148-10
ROTATING IV POLE



RÉF. 50147-01
TWEEGY DOCKING STATION
(NOTE: DELIVERED WITHOUT STARTING CHAIN)





NET WEIGHT:

36 kg

GROSS WEIGHT:

44 kg (+2 kg with pallet)

VOLUME IN m³:

1,04 m³ (+palett = 1,13m³)

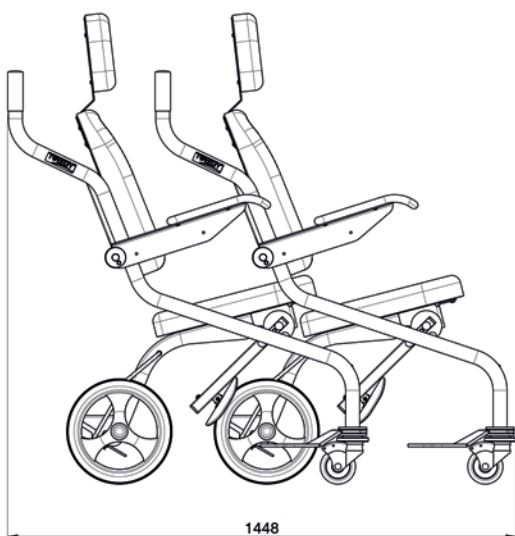
UPHOLSTERY COLOURS

- CA - TOMATO
- CB - FUCHSIA
- CC - PLUM
- CD - LEMON
- CE - PEACOCK
- CF - SAPHYR
- CG - MIDNIGHT BLUE
- CH - GLACIER
- CI - DARK
- 57 - ANTISTATIC
- CJ - GREY
- CK - PLATINUM
- EA - DEEP GREEN
- EB - VEGETAL
- EC - STORM
- ED - SILVER BLUE
- EE - PAPRIKA
- EF - TWILIGHT
- EG - CAMEL
- EH - CORK

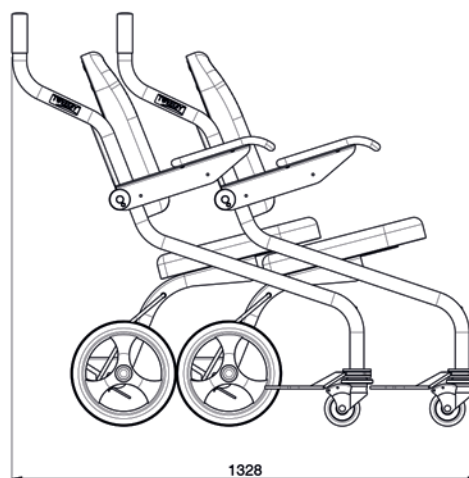
CLASSIC RANGE

ELEGANT RANGE*

TWEEGY[®]



60140-01 + 60149-01 (x2)



60140-01 (x2)

* The Elegance range is subject to the application of a price supplement. Please refer to the price list.



Distributed by:



PROMOTAL.NZ
PROMOTAL.COM.AU