

KOMPACT

T H E V E R S A T I L E S O L U T I O N



KOMPACT

Kompact is the ideal examination table for all your needs. If you have a small exam room, if you perform a variety of exams, if you want to optimise the time you spend with your patients and make it easy for them to get on and off your examination table, then the Kompact is for you. It features sitting and lying positions, numerous storage spaces, integrated stirrups and many accessories so you can perform a full examination, all on a 1 m³ table. Make your life easier, choose the Kompact.



MODELS

235-10	KOMPACT
235-15	KOMPACT WITH BLOCK N' ROLL*
235150-70	OPTIMUM COMFORT SEAMLESS UPHOLSTERY**

* BLOCK N' ROLL: sistema de ruedas integradas en la camilla que facilitan su desplazamiento para las tareas de limpieza (se prohíbe el traslado de pacientes)

** Anchura 72 cm, compatible con los dos modelos existentes, se piden por separado y se suministra desmontada.



EQUALITY OF TREATMENT

MAKE THINGS EASIER FOR YOUR PATIENTS WITH LIMITED MOBILITY WITH:

- › Integrated retractable footstep : height 23 cm
- › Height of 61 cm from step to seat
- › Effortless transition from the sitting to lying position thanks to the integrated leg rest extension

EXAMINE YOUR PATIENTS EASILY:

- › Patient weight capacity up to 250 kg
- › Upholstery width 72 cm



EFFICIENCY

PERFORM YOUR EXAMINATIONS MORE EASILY:

- › Comfortable sitting position (representing 80% of exams)
- › 4 drawers to keep everything you need close at hand
 - 2 pass-through side drawers, accessible from both sides (enabling you to place the table in the middle of the exam room)
 - 2 front drawers
- › integrated retractable stirrups
- › Pelvic tilt (7 degrees)

CLEAN YOUR EXAM TABLE EASILY THANKS TO:

- › One-piece drawers made of easy-to-clean ABS
- › Removable upholstery
- › All surfaces are easily accessible for cleaning
- › A large capacity paper roll holder integrated on the backrest
Maximum length 50 cm - Diameter 20 cm
- › A removable, sterilisable ABS gynaecology tray



ERGONOMICS

SAVE SPACE THANKS TO:

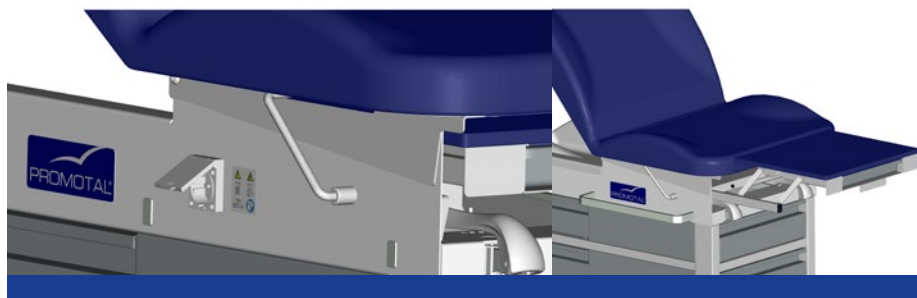
- › A compact table (less than 1 m³)
- › A large and versatile range of positions (gynaecological, sitting, lying)
- › Numerous storage spaces at hand
- › Integrated retractable wheels for easy movement (Block n' Roll model)

IMPROVE YOUR PATIENTS' COMFORT

- › Integrated sliding leg rest extension at the same level as the seat (option)
- › Optimum comfort seat

KOMPACT

- OPTIONS
- ACCESSORIES

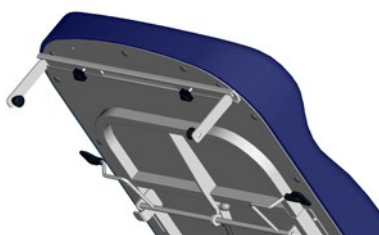


REF. 240-01 EU/UK/US

2 INTEGRATED POWER PLUGS, ONE ON EACH SIDE, EU/UK/US

REF. 272-01

INTEGRATED SLIDING LEG REST ON THE SAME LEVEL AS SEAT



REF. 278-01

PAIR OF RAILS
25X10 MM

REF. 2056-02

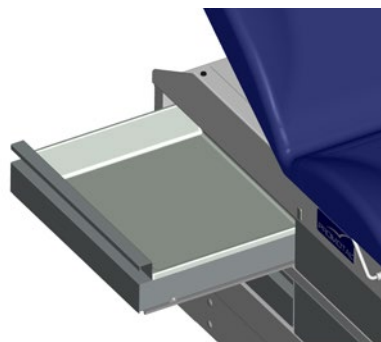
ADJUSTABLE PAPER
ROLL HOLDER
(350-800MM)

REF. 878-12

SLIDING CLAMP FOR RAIL
25X10 MM,
Ø 16/18 MM

REF. 879-10

ROTATING CLAMP
FOR RAIL
25X10 MM



REF. 236-01

ARMREST FOR
KOMPACT
(+ 878-12)

REF. 2537

ARMREST COVERT FOR
MODEL 2536 (1 UNIT)

REF. 239-15

2 PLASTIC PANS
FOR DRAWERS

REF. 239-10

BACK PAN FOR PAPER
ROLL STORAGE



REF. 245-01

PAIR OF GOEPL
LEG RESTS
(+ 2x 878-12)

REF. 2985-01

SELF-LOCKING SERUM
HOLDER ROD 2 HOOKS
(+ 878-12)

REF. 985-01

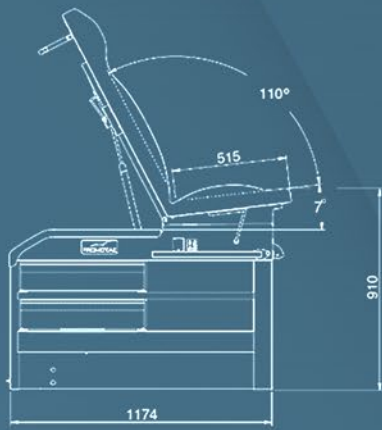
SERUM HOLDER ROD 2
HOOK WITH STOP
(+ 878-12)

REF. 295-01

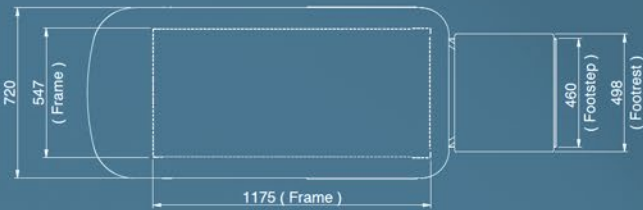
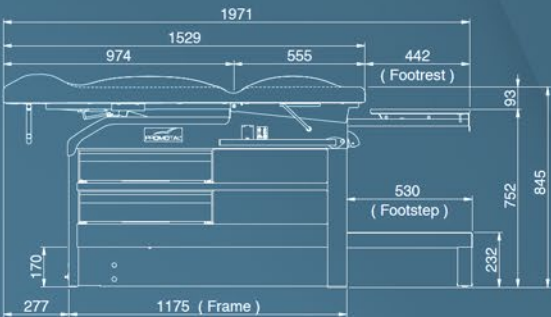
LAMP SUPPORT
FOR RAIL* 25X10 MM

* to select a light, please refer to the specific documentation

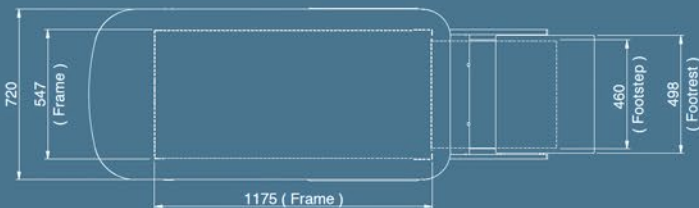
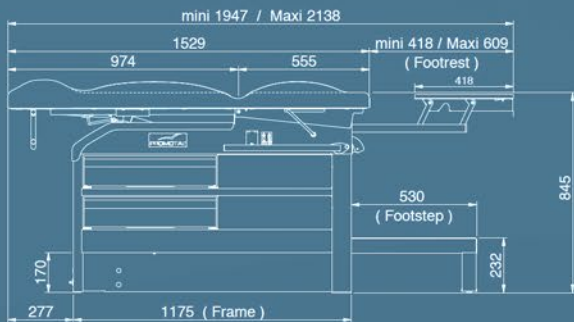
NET WEIGHT : 125 kg
GROSS WEIGHT : 159 kg
PACKAGE VOLUME : 1,29 m³



MODEL
235-10 / 235-15



MODEL
235-10 / 235-15 + Option 272-01



UPHOLSTERY COLOURS

- | | | |
|--------------------|--|----------------|
| CA - TOMATO | | CLASSIC RANGE |
| CB - FUCHSIA | | |
| CC - PLUM | | |
| CD - LEMON | | |
| CE - PEACOCK | | |
| CF - SAPHYR | | |
| CG - MIDNIGHT BLUE | | |
| CH - GLACIER | | |
| CI - DARK | | |
| 57 - ANTISTATIC | | |
| CJ - GREY | | ELEGANT RANGE* |
| CK - PLATINUM | | |
| EA - DEEP GREEN | | |
| EB - VEGETAL | | |
| EC - STORM | | |
| ED - SILVER BLUE | | |
| EE - PAPRIKA | | |
| EF - TWILIGHT | | |
| EG - CAMEL | | |
| EH - CORK | | |

NOMADE® www.agence-nomade.re

* The Elegance range is subject to the application of a price supplement. Please refer to the price list.



Distributed by:



WWW.PROMOTAL.NZ
WWW.PROMOTAL.COM.AU