

swifi



Model Shown : 30130-02 / 30130-02L



Transfer Chair
30130-02 / 30130-02L

Product Identification

Model Number :

Serial Number :

Date of Purchase :

Name of Owner / Facility :

Name of Dealer :

Dealer's Phone Number :

Promotal Authorized Service Company :

Legal Notice

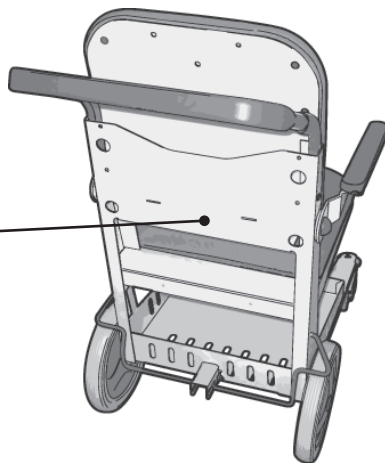
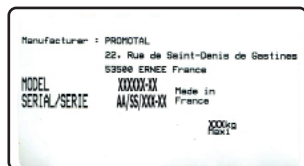
PROMOTAL
22, rue de Saint-Denis de Gastines
B.P. 26 - 53500 ERNÉE Cedex
FRANCE
Tél. : +33 (0)2 43 05 12 70
Fax : +33 (0)2 43 05 68 99
internet : www.promotal.com

The descriptions and specifications contained in this Operating Manual are deemed correct at the time of printing.

Promotal, however, reserves the right to modify its models and its procedures or render them obsolete without notice.

Before any order, we recommend that our customers consult a local sales manager.

Type plate



Important Information	6
<i>Safety symbols</i>	6
Precautions when unpacking	7
<i>Material delivered in cardboard packaging</i>	7
<i>Storage condition</i>	7
<i>Conditions of use</i>	7
<i>Unpacking / Installation</i>	7
<i>Verification</i>	7
Cleaning protocol	9
<i>Warning</i>	9
<i>Cleaning/Disinfecting</i>	9
User's Guide – Transfer chair	10
<i>Intended use</i>	10
<i>Authorisation to use</i>	10
<i>Patient weight capacity</i>	10
<i>Features</i>	10
<i>Dimensions</i>	11
Using the Stretcher	12
<i>The foot rest</i>	12
<i>Adjusting the foot rest</i>	12
<i>The brakes</i>	12
<i>Using the brakes</i>	12
<i>The arm rest</i>	12
<i>Adjusting the arm rest</i>	12
<i>Patient file holder</i>	13
Accessories	14
<i>Urine bag support</i>	14

Summary

<i>Installing the urine bag support</i>	14
Pair of clamps	14
<i>Installing the clamps</i>	14
Support tray	15
<i>Installing the Support tray</i>	15
<i>Using Swing IV</i>	15
I.V. pole with two hooks	16
<i>Installing the IV pole</i>	16
Auto-blocking I.V. pole	16
<i>Installing the IV pole</i>	16
<i>Adjusting the height of the IV pole</i>	16
Head rest	17
<i>Installing the Head rest</i>	17
<i>Installing the head rest</i>	17
Swing IV® (Rotating IV pole)	18
<i>Installing Swing IV (rotating IV pole)</i>	18
<i>Installing Swing IV (rotating IV pole)</i>	18
<i>Using Swing IV</i>	19
Safety belt	19
<i>Using the Safety belt</i>	19
<i>Installing the Safety belt</i>	20

Leg-rest	21
<i>Installing the leg rest support</i>	21
<i>Storing the leg rest</i>	21
<i>Placing the leg-rest in a horizontal position (PH)</i>	22
<i>Placing the leg-rest in an inclined position (PI)</i>	22
Oxygen bottle holder	23
<i>Installing the Oxygen bottle holder</i>	23
<i>Installing the Oxygen bottle</i>	23
<i>Changing the Oxygen bottle</i>	24
Chairs locks	24
reference 30147-01, 30147-10	24
<i>Installing the coin lock</i>	24
<i>Installing the chain</i>	25
<i>Using the coin lock</i>	25
reference 30147-20	25
Service identification	26
Lifespan of the Medical Device	27
<i>Obligatory/specific maintenance</i>	27
<i>End of the device's useful life</i>	27
Maintenance notebook	28
Note	29
Warranty Information	30
Warranty	30
<i>Obligations</i>	30
<i>Exclusions</i>	30
<i>Exclusive Remedy</i>	30
<i>No Authorization</i>	30
Declaration of Conformity	31

Important Information

Safety symbols



Warning sign

The information marked with this symbol must be read and strictly followed !

Note

Procedure, practice, or condition.



Humidity limitation



Maximum number of stacked pallets



Correct orientation for transportation



Atmospheric pressure limitation



Temperature limitation



Fragile



Keep in a dry place



Not to use sharp objects



Manufacturer



General safety sign



Refer to the instruction manual / brochure



CE marking



Do not use the footrest as a step



Do not sit on the armrests



Do not sit on the leg-rest



Warning

The warning pictograms and signs installed by the manufacturer must not be removed ! The manufacturer's responsibility is cancelled if these signals are removed.

Precautions when unpacking

Material delivered in cardboard packaging

Small, lightweight, easy to handle material

In this case, the products can be easily handled without any lifting gear, taking care to position the product according to the directional arrows on the packaging.

In the absence of arrows indicating the top and bottom, use the position of the various product identity labels which are always placed at the top.

Heavy or cumbersome material requiring the use of lifting gear

In this case, it is possible to use a fork lift truck, provided it is used correctly.

Before moving, ensure the material is properly positioned, and that the load is evenly balanced.

Storage condition

Ambient Temperature Range :

Relative Humidity :

Atmospheric Pressure :

The following conditions must be observed when storing any material :

- The area must be clean, well ventilated and be of a normal temperature.
- Store products away from the elements, and away from direct sunlight.
- The area must not be damp.

-15 °C to +60 °C (+5 °F to 140 °F)

10 % à 90 % (non-condensing)

0.5 bar to 1.05 bar (500 hPa to 1050 hPa)

- The products must not be subject to bumps or jolts.
- Do not store in an area where people are likely to pass.
- Articles must not be stacked on top of each other.
- Articles must remain in their original packaging until final delivery.

Conditions of use

- Dry and temperate area.
- Maximum altitude : 2000 m

- Temperature 10 to 40° C
- Relative humidity 75% maxi.

Unpacking / Installation

When installing, remove all staple clips and carefully remove the cardboard packaging. Fragile parts of the product (upholstery coverings, plastic casings, etc.) may be just below the packaging. Care must be taken with cutting instruments.

Once the packaging has been removed, remove any remaining protective covering.

In the case of packaging on a wooden palette, remove the packaging as above. Depending on the model, the product is fixed either by screwed flanges, or by nailed wooden stakes. Use a spanner (for metal flanges). Use a claw hammer (for wooden stakes). Lift the article off the palette, and remove the remaining protective covering. The product is now ready for use.

Verification

After unpacking the device, follow the steps below :

- Check the delivery documents to make sure that the consignment is complete.
- Check the external components and look for possible transport damage.
- Check that the package contains the device, the accessories and options, the power cord (*if electric DM*) and the Operating guide.

Precautions when unpacking

Note :

Authorized CE representative

Countries in the EEC should direct all questions, incidents, and complaints to Promotal's Authorized CE representative listed below :

Promotal
22, rue de Saint-Denis de Gastines
53500 Ernée,
FRANCE
Téléphone : + 33 (0)2 430 517 76
Fax : + 33 (0)2 430 572 00

Warning

It is vital to read the user's manual thoroughly before manipulating this Medical Device. The equipment should only be used for its intended purpose as described in our documentation. Installation and connection must only be carried out by qualified personnel. The electrical components (cylinder, box,

control handle, battery, adapter, etc.) must not be opened under any circumstances. PROMOTAL shall not be held liable for any damage resulting from non-compliance with these instructions.



Any modification to the medical device without written authorization from the manufacturer is forbidden.



Caution
Only accessories designed and provided by Promotal for this medical device are authorised for use.



Caution
This medical device is not intended to be cleaned in a washing tunnel.

Cleaning/Disinfecting

This medical device must be regularly cleaned using the appropriate detergent products and disinfected using bactericidal, virucidal and fungicidal disinfectants.

A mild detergent such as soapy water can be used for routine cleaning of upholstery, stainless steel, aluminium or painted surfaces, plastic parts and control components, followed by effective rinsing and thorough drying. Detergents and disinfectants designed for use with medical appliances, such as those containing quaternary ammonium compounds, hydrogen peroxide, ethanol, chlorine compounds, etc. can be used on our medical devices provided that:

- The concentration prescribed by the suppliers of such products are complied with;
- The application conditions (contact time, quantity used, temperature, rinsing, etc.) are complied with;
- The supplier's instructions state that the detergent-disinfectant used is suitable for use with:
 - PVC, ABS, Polyamide, Polyurethane, Polypropylene
 - Epoxy-coated metal surfaces
 - Stainless steel or aluminium metallic surfaces.

Warning :

- Solvents are strictly prohibited.
- The use of abrasive powders or any other abrasive product should be avoided.
- High-pressure cleaning is forbidden.



Under no circumstances shall Promotal be held liable under warranty for any damage caused by non-compliance with the use instructions for a detergent/disinfectant.

User's Guide – Transfer chair



Intended use

This medical device is intended for transferring patients in a seated position on solid level ground that is free of debris, such as gravel, mud or sand.

This device is intended for professional and non-domestic use only.

Authorisation to use

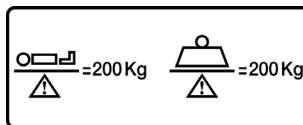
Promotal recommends that Swift and its accessories should be used preferably by a healthcare professional (paramedic, nurses, ...)

In case of use by a non-healthcare professional, Promotal recommends that instructions should be given to the user in order to safely use the device. These instructions will include how to use the brakes, armrests and other accessories...

Swift should only be used by adults with the strength required to use it safely.

If these instructions are not carefully followed, Promotal shall not be held liable in case of an accident.

Patient weight capacity



References 30130-02

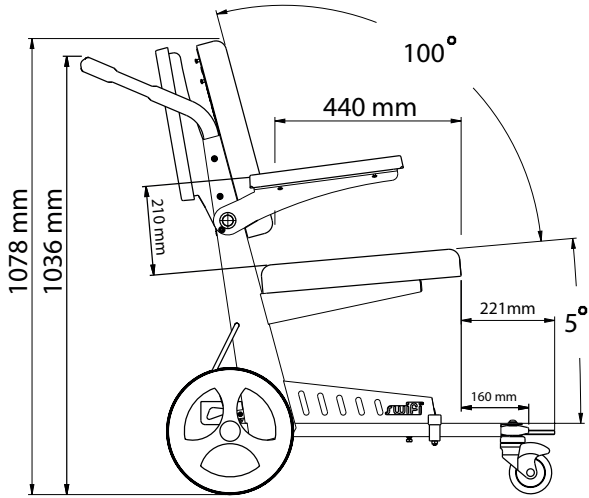
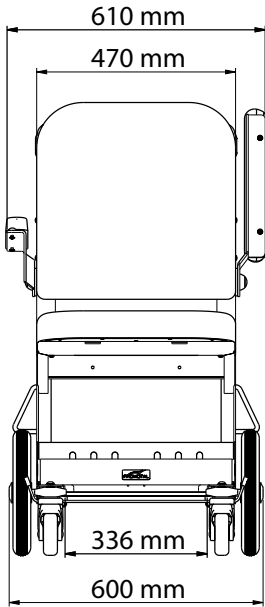
Features

- 2 widths 47 or 60 cm
- Electrogalvanized steel frame with light grey epoxy finish
- Epoxy finished push bar
- Backrest and seat in class M1 flame retardant covering
- Patient file holder
- Clothes basket
- Adjustable arm rests
- Retractable footrest
- Rear castors ø 300 mm with centralized brakes
- Front castors ø 100 mm – ball bearing
- 58 cm seat height

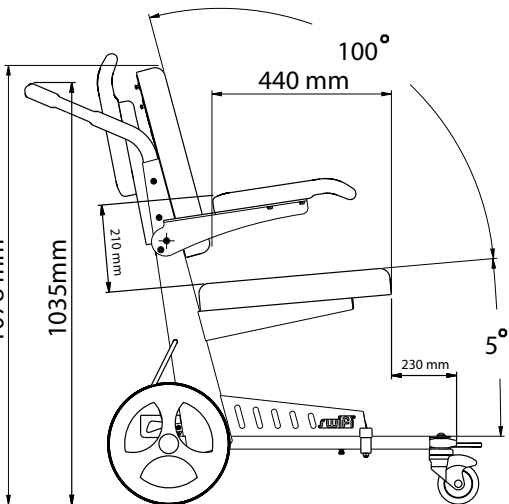
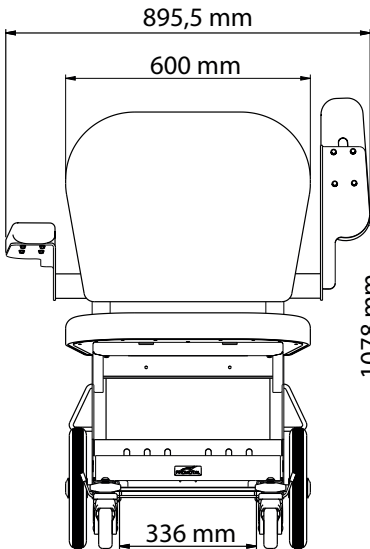


References 30130-02L

Dimensions (30130-02)



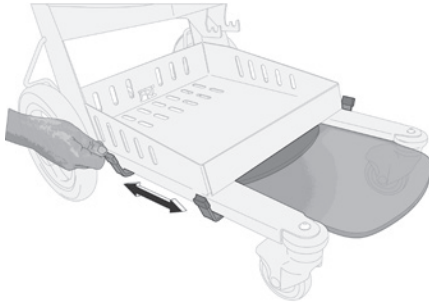
Dimensions (30130-02L)



Using the Stretcher

The foot rest

Adjusting the foot rest

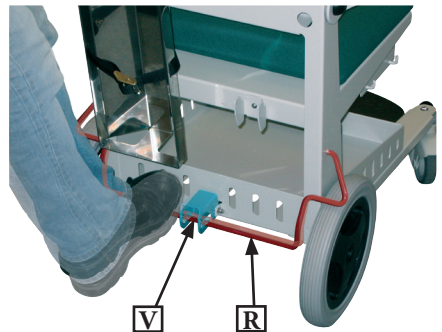


The brakes

Using the brakes

Press your foot on the brake pedal (red R). The back castors are blocked.

To unlock the brakes, press on the central pedal (green V). The castors are free.



If not used over a long period of time, do not leave the brakes locked, in order not to deform the bandage of the wheels.

The arm rest

Adjusting the arm rest

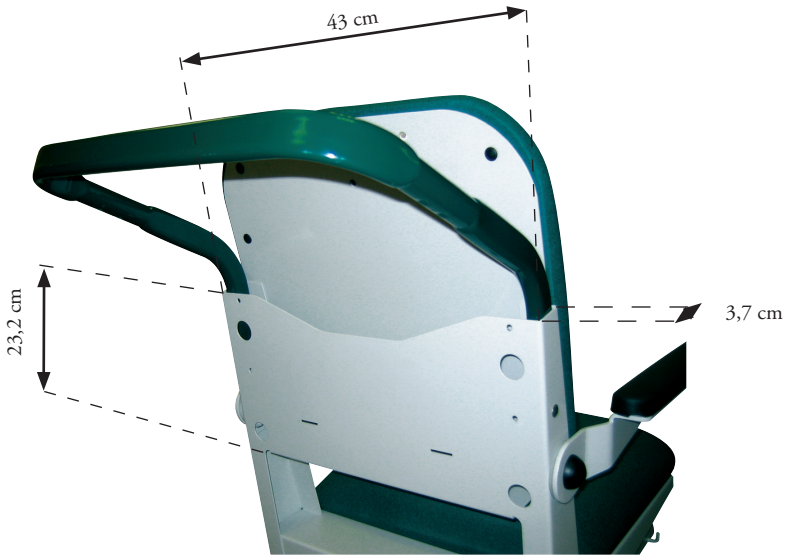


For safety reasons, and in order to avoid malfunctioning, no objects should be placed between the backrest and the moving arm rest of the chair.



Patient file holder

Dimension useful : 43 x 23 x 3,7 cm



Urine bag support

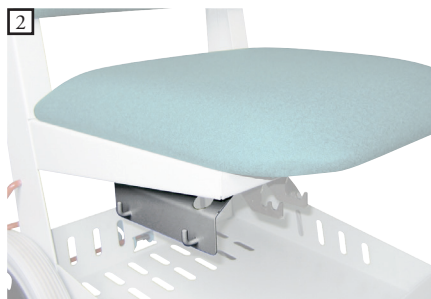
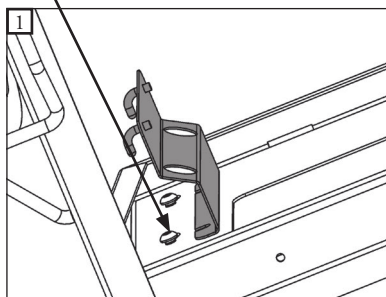
(reference 30140-01)

Installing the urine bag support

Unscrew slightly the screws situated under the upholstery.

Insert the support and rescrew.

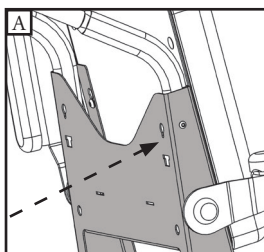
n°4 Allen key 



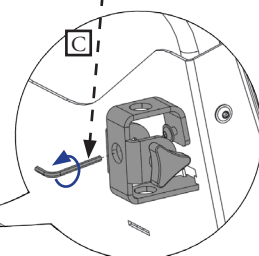
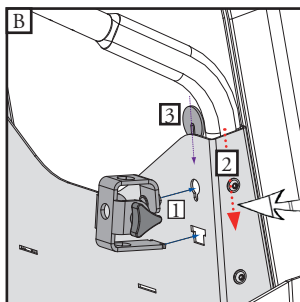
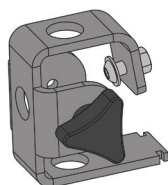
Pair of clamps

(reference 30148-20)

Installing the clamps



N°4 Allen key 



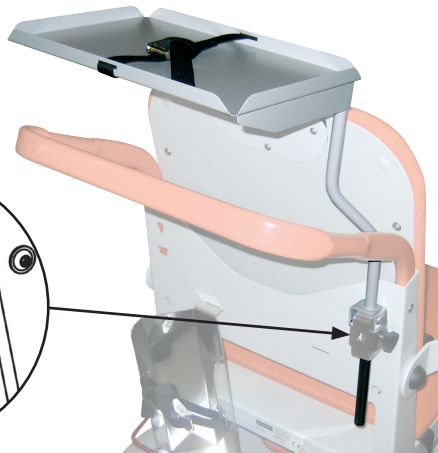
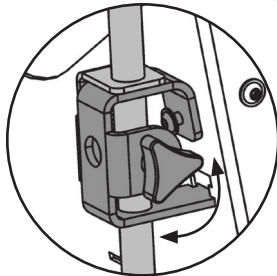
Support tray

(reference 30142-01)

Installing the Support tray

Unscrew the screw handle.

Insert the Support tray pole and rescrew.



Caution
Clamps are necessary to install these accessories.
(ref. : 30148-20)



The Support tray positions only on the right clamps of the chair.



Tighten screws before use

Using Swing IV

For use the Swing IV;

1. Unscrew the screw handle,
2. Lift the Support tray,
3. Pivot 90°.

To pivot the Swing IV. (indicated page 20)

To reposition the Support tray after the adjustment of the Swing IV.



 Only accessories designed and provided by Promotal for this medical device are authorized for use.

I.V. pole with two hooks

(reference 30148-01)

Installing the IV pole

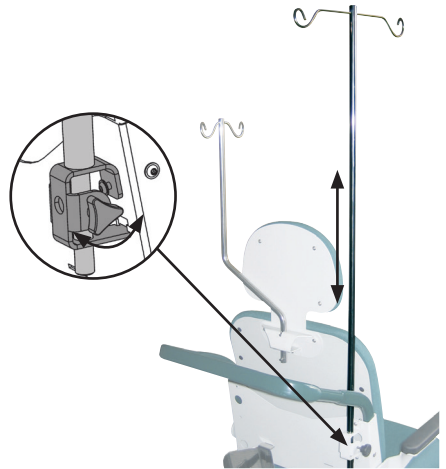
Hold the I.V. pole, and unscrew the screw handle. Adjust the pole sliding it into the holder. Tighten the screw handle.



Caution
Clamps are necessary to install these accessories.
(ref. : 30148-20)



Tighten screws before use



Auto-blocking I.V. pole

(reference 2985-01)

Installing the IV pole

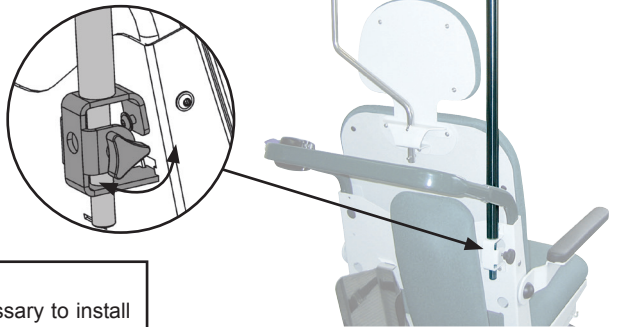
Unscrew the screw handle. Insert the I.V. pole and rescrew.



Caution
Clamps are necessary to install these accessories.
(ref. : 30148-20)

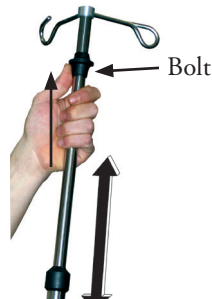


Tighten screws before use



Adjusting the height of the IV pole

The IV pole has 1 sliding stem. Use the screw to adjust the height of the lower stem and the bolt to adjust the upper stem.



Head rest

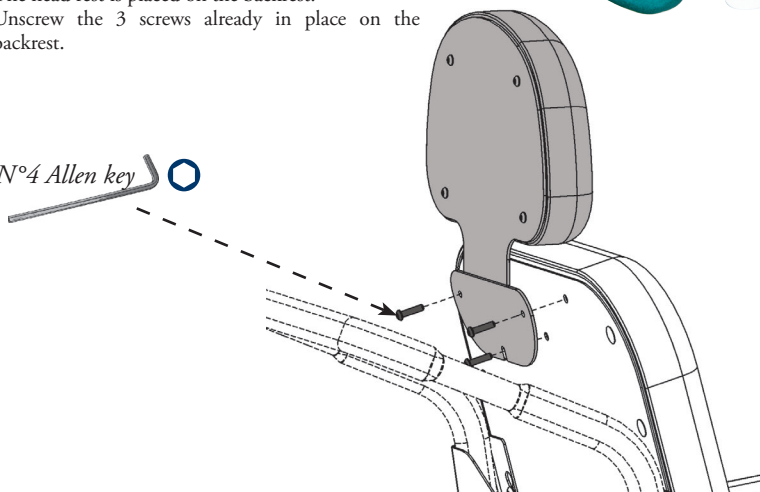
(reference 30141-01)

Installing the Head rest

The head rest is placed on the backrest.
Unscrew the 3 screws already in place on the backrest.



N°4 Allen key 

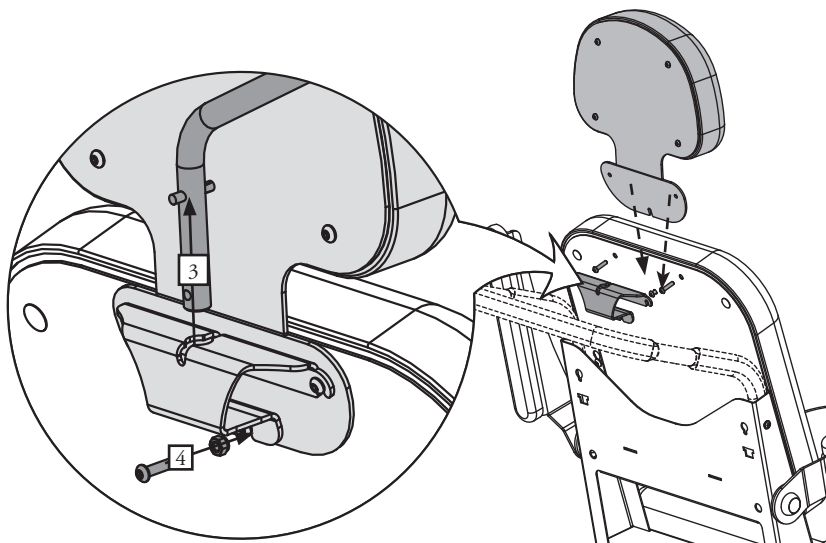



Installing the head rest

(when the Swing IV* is already installed)

Unscrew the Swing IV*, insert the head rest in front of the IV pole and screw together.

N°4 Allen key 



 Only accessories designed and provided by Promotal for this medical device are authorized for use.

Swing IV® (Rotating IV pole)

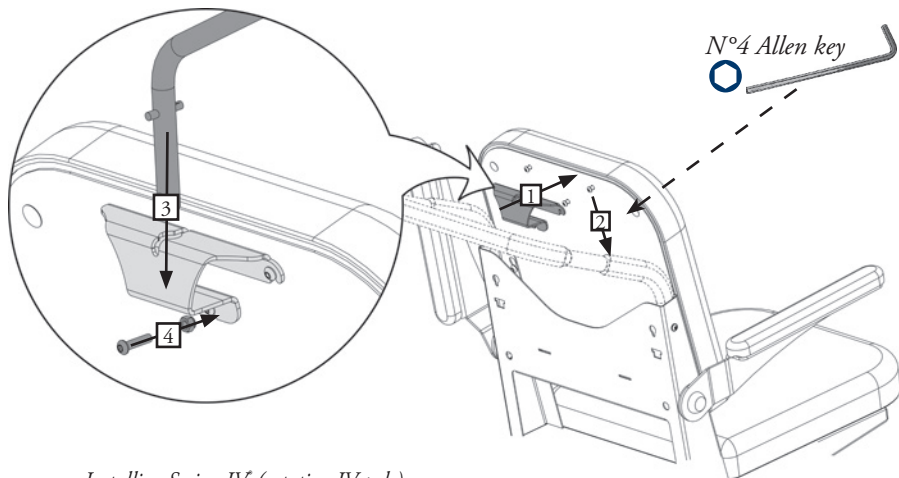
(reference 30148-10)

(The parts are delivered dismantled)

Installing Swing IV (rotating IV pole)

The Swing IV is placed on the backrest.

Unscrew slightly the 3 screws already in place on the backrest., and insert the Swing IV.

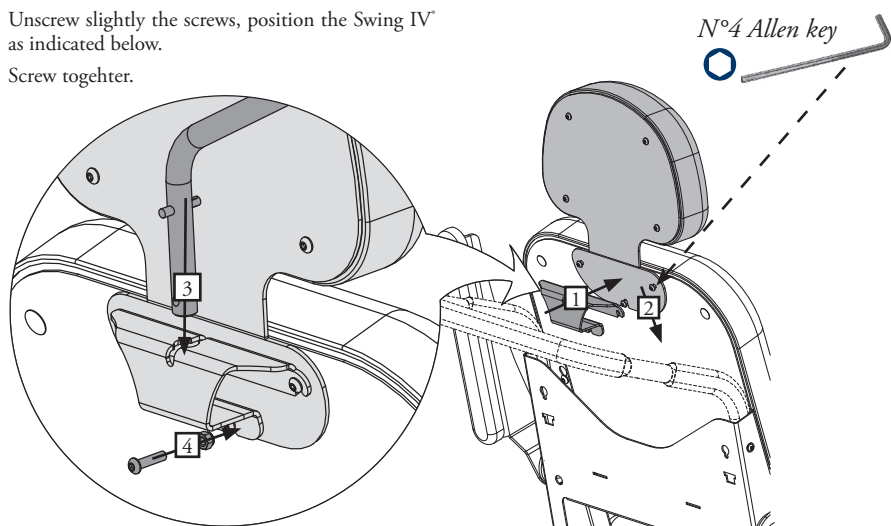


Installing Swing IV (rotating IV pole)

(when the head rest is already installed)

Unscrew slightly the screws, position the Swing IV as indicated below.

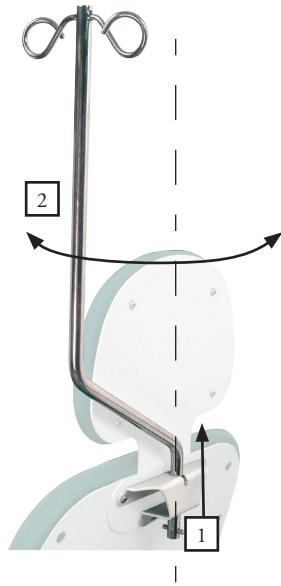
Screw together.



Using Swing IV

Lift the IV pole, and pivot 180°.

To lock, replace the IV pole in its casing.

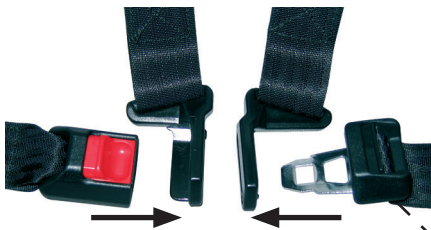


Ensure the IV pole is correctly in place before use.


Safety belt

(reference 30143-01)

Using the Safety belt



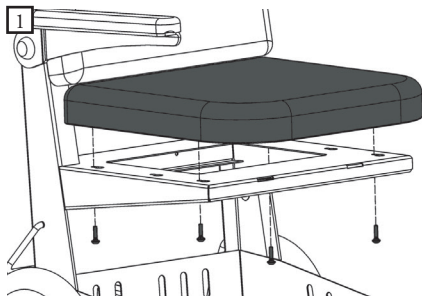
Ensure to lock correctly before use

 Only accessories designed and provided by Promotal for this medical device are authorized for use.

Installing the Safety belt

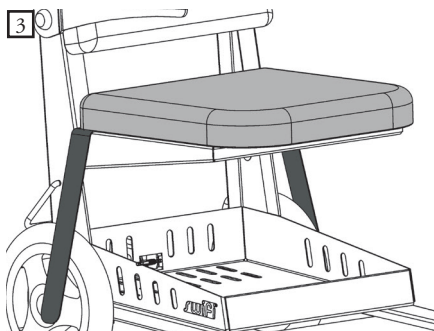
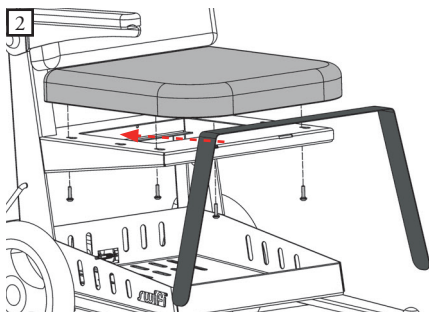
1. Remove the upholstery

N°4 Allen key 

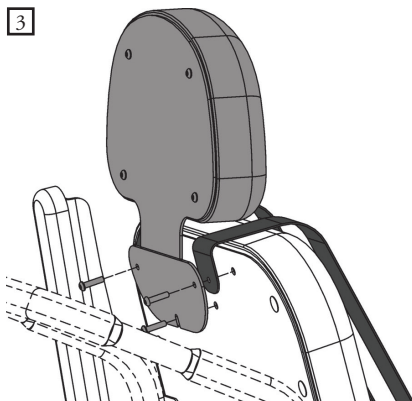
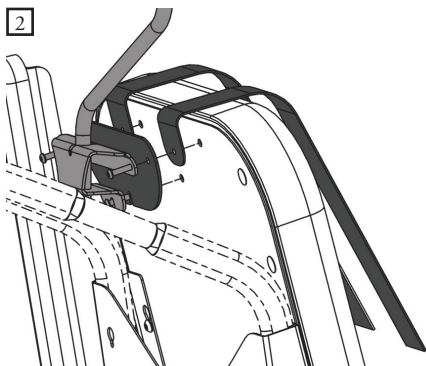
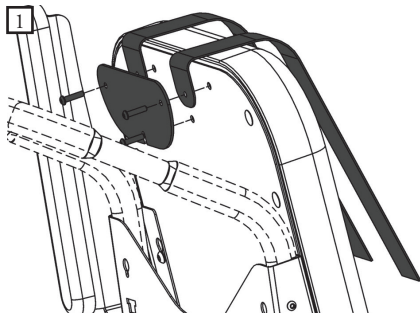


2. Insert the lower part of the belt between the frame and the upholstery.

Replace the upholstery.



The upper part of the belt is placed on the backrest. Several possibilities, follow the same procedure as installing Swing IV* and the head rest.

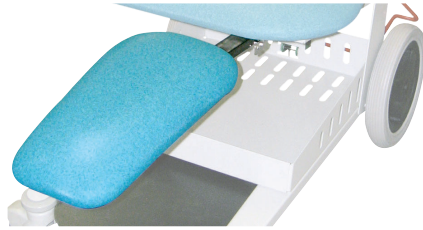


Leg-rest

(Reference 30149-01)



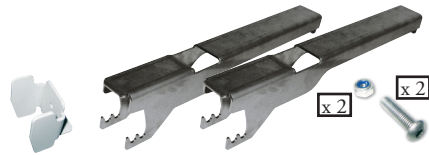
(Reference 30149-01L)



Installing the leg rest support

Insert the support under the seat.

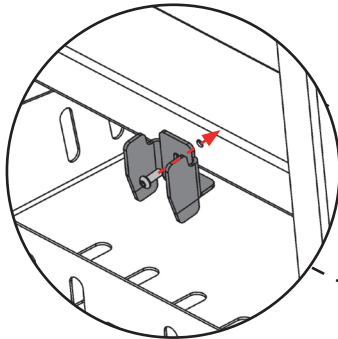
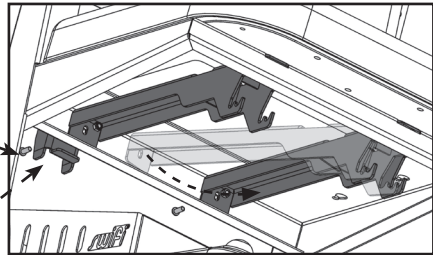
Pivot the support.



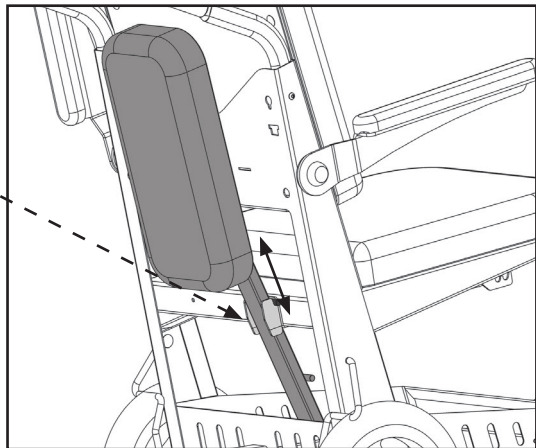
Box spanner of 10




n°4 Allen key

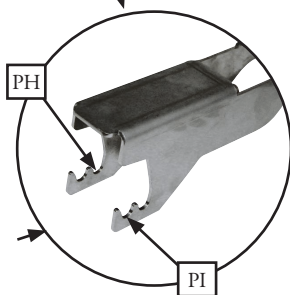
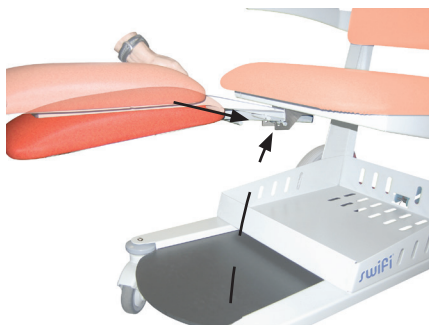


Storing the leg rest

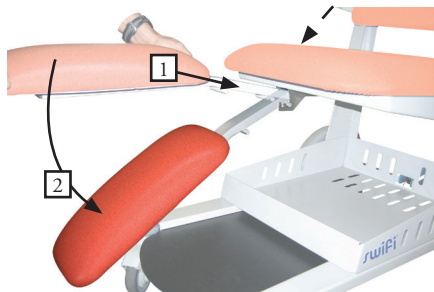


 Only accessories designed and provided by Promotal for this medical device are authorized for use.

Placing the leg-rest in a horizontal position (PH)



Placing the leg-rest in an inclined position (PI)



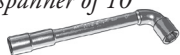
Oxygen bottle holder

(reference 30145-02)

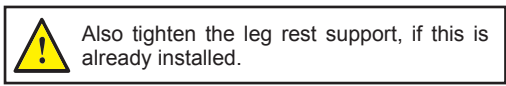
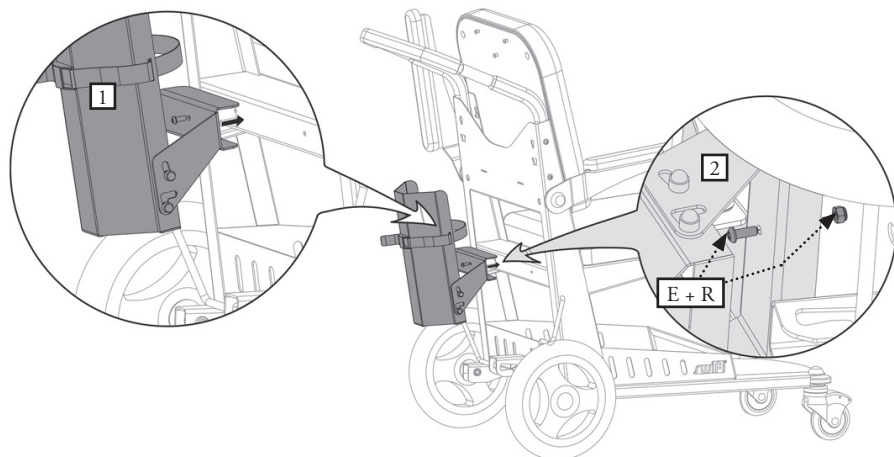
Installing the Oxygen bottle holder



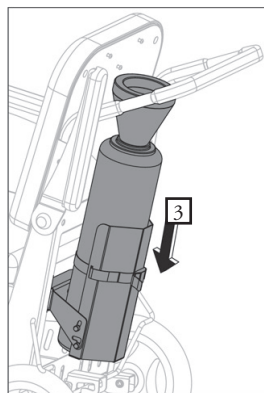
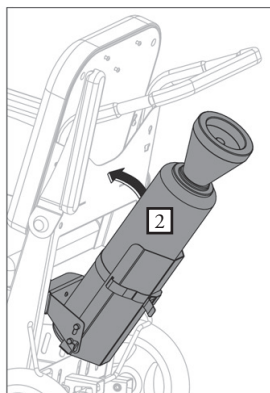
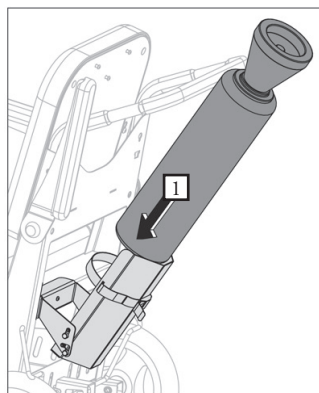
Box spanner of 10



n°4 Allen key

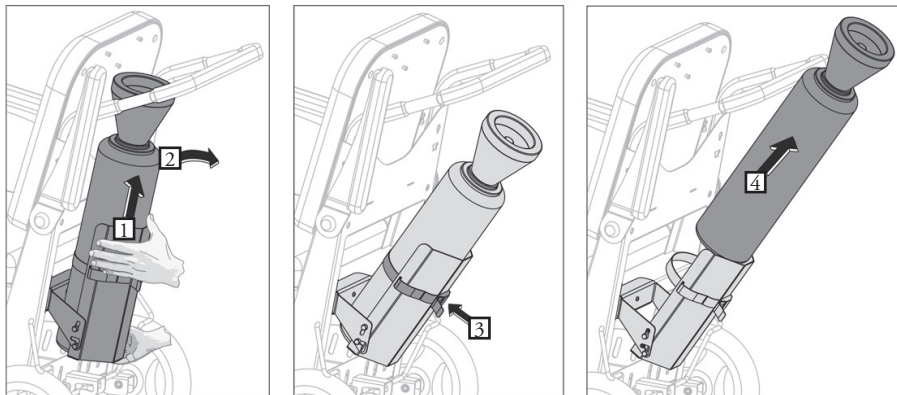


Installing the Oxygen bottle



 Only accessories designed and provided by Promotal for this medical device are authorized for use.

Changing the Oxygen bottle



Chairs locks

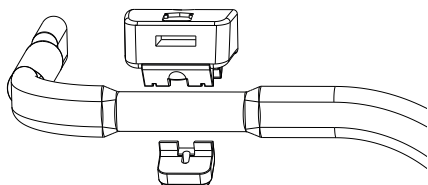
(reference 30147-01, 30147-10)

Installing the chair lock

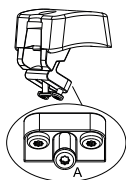
The chair lock is fixed on the side of the transfer chair.



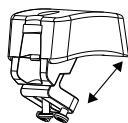
n°25 Torx screwdriver



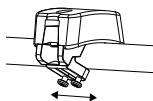
(reference 30147-10)



Insert screw A to join the two coin lock sections together



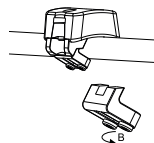
Open the jaws



Centre the coin lock on the cylindrical space designed to receive it

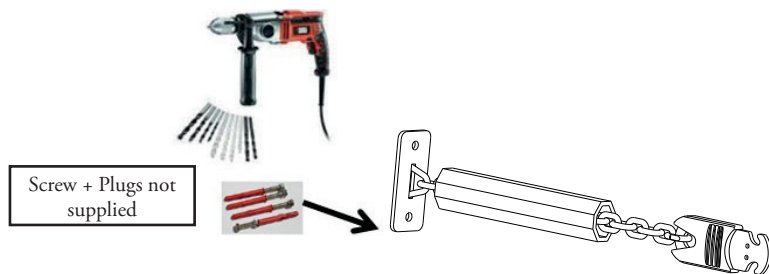


Tighten the central screw of the jaws to prevent the product from sliding along the bar



Tighten the two lateral blocking screws of the jaws to prevent the product from rotating around the bar

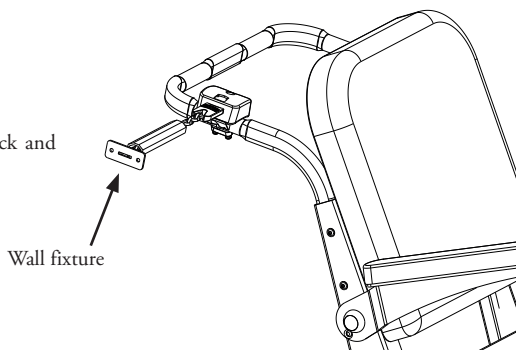
Installing the chain



After having first marked, and then drilled, the wall at the planned location, fix the starter chain using 2 suitable screws + plugs (not supplied).

Using the chair lock

Put a token (or a 1 € coin) in the chair lock and withdraw the key.




Using the coin lock

Place a token in the coin lock and remove the key.



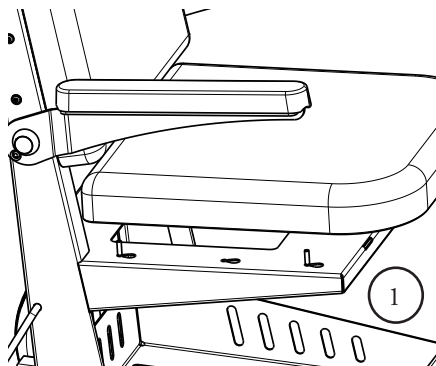
Set of 10 tokens
(reference 30147-20)



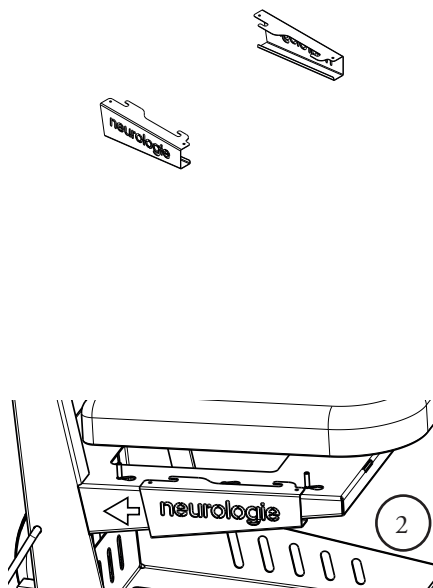
 Only accessories designed and provided by Promotal for this medical device are authorized for use.

Service identification (reference SP-SWIFI)

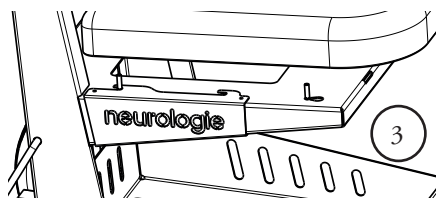
Attaching the identification plates



Partially unscrew the 4 screws holding the seat



Insert the identification plates



Once fitted as shown in the above diagram, screw the seat back down.



Lifespan of the Medical Device

This medical device was designed for a service life of 10 years, excluding wear parts in normal working conditions. This duration may change depending on the frequency of use.

CHECK AT LEAST ONCE A YEAR THE GENERAL CONDITION OF THE DEVICE.

The wear parts are :

- The upholstery
- The wheels and casters (*depending on the model*)
- The knobs and screws

Promotal recommends replacing the wear parts after a maximum of 5 years of use.

For any intervention, please contact your local authorized dealer, indicating the serial number of the device.

Obligatory/specific maintenance

Once per year :

- Check the screws and the rods.
- Check the articulated parts.
- Check the structure did not undergo any deformation.
- Control the various connections.
- Note this information and the date in the maintenance notebook.

End of the device's useful life

Your dealer is responsible for reclaiming and processing this device at the end of its service life.

Do not hesitate to contact Promotal, if necessary. We will suggest to you a solution to process this equipment in the best conditions.



Equipment warning

All mattresses with torn covers must be promptly replaced in order to guarantee optimum functionality of this DM.



Material warning Do not dismantle the equipment

If a defect is detected, immediately contact your retailer or the after-sales department of your retailer (cf Warranty Information) for a complete diagnosis. If a doubt remains, do not use the equipment.

MAINTENANCE NOTEBOOK

Product Reference :
Serial number (cf. label) :
Manufacturing date (start date of warranty) :/...../.....

Date	Name of technician	Type of intervention - corrective action

If the product is returned to the retailer or manufacturer, please clean and disinfect the material.



Note

Warranty Information

Warranty

Promotal warrants, to the original purchaser, products manufactured by Promotal and components to be free from defects in materials and workmanship for a period of two (2) years* from the date of purchase.

Obligations

Promotal will, at its discretion and expense, replace defective parts reported to Promotal within the applicable warranty period, and which, upon examination by Promotal, prove to be defective.

In accordance with CE regulation, Promotal's distributor is responsible for after sales service during and after the warranty period.

Exclusions

- This warranty does not extend to :

- (1) Spare parts and consumables.
- (2) Travel and labour expenses.
- (3) Breakdowns due to improper use, manifest neglect, or to moving the device.
- (4) Equipment whose original characteristics have been changed by the user.
- (5) Control units, hydraulic and electric jacks if opened by the user (seals broken).
- (6) Damage, breakdowns, failures, or defects attributable to outside causes (lightning, electric surges, floods, natural catastrophes, impacts, etc.) or to the presence of foreign objects.
- (7) Damage caused by improper hook-up or by the power supply, damage caused by corrosion or by gradual deterioration of the product.
- (8) Indirect damage related to loss of use and penalties generated by poor performance.
- (9) Aesthetic damage incurred by the outside parts of the equipment, which does not hinder proper operation, such as scratches, chips, and scrapes.
- (10) Devices whose serial number has been rendered illegible or has been changed or removed

Exclusive Remedy

Promotal's only obligation under this warranty is the replacement of defective parts. Promotal shall not be liable for any direct, indirect, special, incidental, exemplary, or consequential damages or delay, including, but not limited to, damages for loss of profits or loss of use.

No Authorization

No person or firm is authorized to create for Promotal any other obligation or liability in connection with the products.

THIS WARRANTY IS PROMOTAL'S ONLY WARRANTY AND IS IN LIEU OF ALL OTHER WARRANTIES, EXPRESS OR IMPLIED.

* Upholstery sets are warranted 1 year from manufacturing defaults.

EU Declaration of Conformity

We,

Promotal

22 rue de Saint Denis de Gastines

53500 Ernée – France

SRN: FR-MF-000001666

declare, under our sole responsibility, that the following medical device:

Commercial name: swifi 30130-02 / 30130-02L

Description: Transfer chair

Basic UDI-DI: 37014094SWIFILF

is a Class I medical device,

complies with the requirements of **Regulation (EU) 2017/745** of the European Parliament and of the Council of 5 April 2017,

meets the applicable European standards applicable,

bears, as such, the CE marking.

Year that the CE (Medical Devices) marking was initially affixed: 2007

Signed in Ernée,

On 26 May 2021



Rudolf MOURADIAN

Chairman

Promotal

22 rue de Saint-Denis de Gastines, 53500 Ernée, France

Tel.: +33 (0)2 43 05 17 76

Fax : +33 (0)2 43 05 72 00 www.promotal.com

EN



CE

PROMOTAL - FRANCE
www.promotal.com

DIC30130-02_2121EN

