



# Duolys



# Duolys

Five years ago, Promotal conducted the largest survey ever performed in Europe and the Middle East. This 3-year survey, conducted in collaboration with more than 200 health professionals, revealed 3 basic needs:

equal treatment of people with mobility limitations, efficiency in carrying out medical examinations and user-friendly equipment. iDuolys is Promotal's new revolution. We have designed a versatile examining couch with a sleek, lightweight design that will improve your comfort and that of your patients thanks to the patient access/transfer position that is the lowest on the market, an optimal gynaecological position, the programmable positions and the autonomous movements that are 2 times faster.



**LOW  
POSITION**



**HIGH  
POSITION**



**TRENDELEN-  
BURG**



**REVERSE  
TRENDELEN-  
BURG**



**GYNAECOLOGY**



## EQUAL TREATMENT

### MAKE THINGS EASIER FOR YOUR PATIENTS WITH MOBILITY LIMITATIONS:

- > Low 53 cm position provides easier patient access/transfer
- > Safe, smooth electrical movements
- > Compatible with a patient hoist
- > Switch from the low position to the gynaecological position effortlessly

### EXAMINE ALL YOUR PATIENTS EASILY:

- > Accommodates up to 250 Kg

## EFFICIENCY

### YOUR EXAMINATIONS WILL GO SMOOTHLY THANKS TO:

- > A 2-in-1 couch for gynaecologists and general practitioners
- > Easy to use built-in stirrups (depending on model)
- > A foot control with a double-click function to switch positions without the remote control
- > Movements that are 2 times faster
- > Autonomous movements, press once to change positions
- > Intuitive controls and pre-programmed patient access/transfer position
- > A reprogrammable "Home" position

### YOUR ENVIRONMENT WILL BE EASY TO CLEAN THANKS TO:

- > Wheels that can be electrically activated by holding down the button on the remote control (depending on the model)
- > Removable seamless seat upholstery

## USER-FRIENDLY DESIGN

### CHANGE POSITIONS EFFORTLESSLY:

- > Electrical movements: Height, central backrest, Trendelenburg / reverse Trendelenburg
- > Rear backrest adjustable by hydraulics
- > Variable height from 53 to 99 cm
- > 2 programmable positions, 100% configurable
- > Built-in stirrups

### IMPROVE YOUR PATIENTS' COMFORT THANKS TO:

- > A real gynaecological position





**3060-40**

**Pads – stirrups on clamps**

**3065-40**

**Pads – retractable stirrups**

**3060-50**

**Retractable wheels, stirrups on clamps**

**3065-50**

**Retractable wheels, retractable stirrups**

**3060-60**

**125mm wheels, stirrups on clamps**

**3065-60**

**125mm wheels, retractable stirrups**

# Duolys

● OPTIONS  
● ACCESSORIES



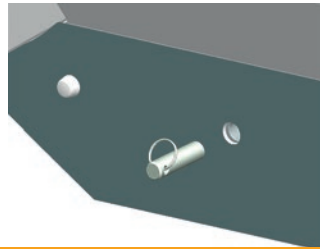
Pair of leg rests  
(to replace stirrups on clamps)  
Ref. 30840



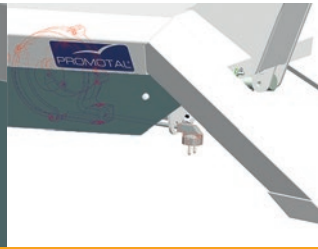
Built-in power outlet  
EU - Ref. 30400-01EU  
UK - Ref. 30400-01UK



Battery  
Ref. 3092-01



Circuit breaker  
Ref. 3058-01



Power cord reel  
(4m)  
Ref. 3032-01XX



Urological tray  
(to replace the standard tray)  
Ref. 2061-30



Equipotential outlet  
Ref. 2059-01



Pair of Goeple leg rests  
(to replace stirrups on clamps)  
Ref. 30845



Clamp  
Ref. 166



Pair of leg rests  
Ref. 840



Pair of covers  
for leg rests  
Ref. 861



IV pole  
with 2 hooks  
Ref. 985-01



Auto-locking IV pole  
with 2 hooks  
Ref. 2985-01



Armrest  
(one)  
Ref. 2536



Cover for armrest  
(one)  
Ref. 2537



Pair of stirrups  
Ref. 850



Flat upholstery headrest  
Ref. 1102-10



Pair of clamps on rail  
Ref. 878-12



Wireless manual control  
Without retractable wheels  
Ref. 3041-20  
With retractable wheels  
Ref. 3041-25



Foot control  
Wired Ref. 3051-10  
Wireless Ref. 3051-20



Splash screen  
Ref. 12677-01



Pair of rails with clamps  
Ref. 2065-78



Pair of plasticised hand  
grips  
Ref. 856



Pair of side rails  
(Flat upholstery only)  
Ref. 85114-01



Lamp  
(Refer to the documentation)

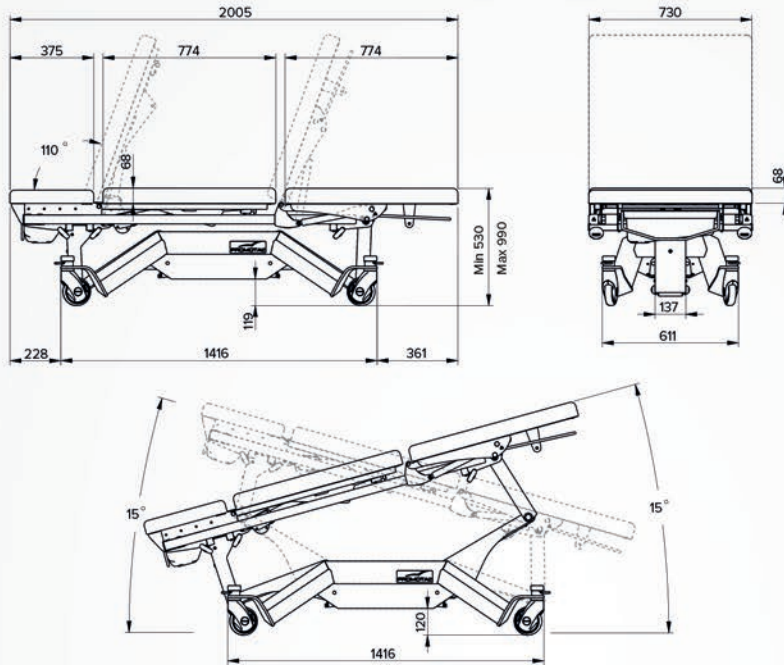


Pair of Goeple leg rests  
Ref. 12845

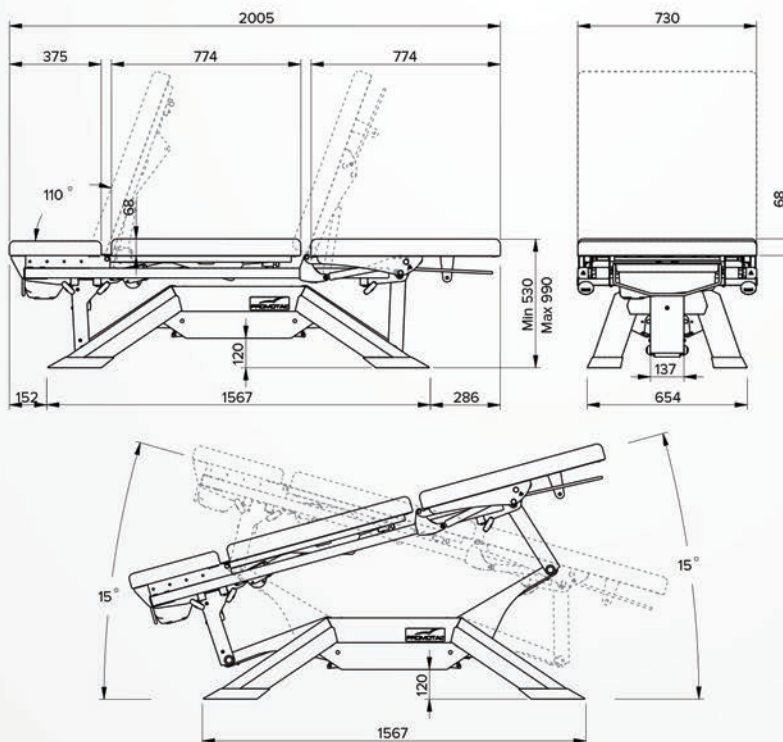
MODELS 3060-40/3065-40 :  
 NET WEIGHT : 121KG  
 GROSS WEIGHT : 154KG  
 PACKAGE VOLUME : 1,64M<sup>3</sup>

MODELS 3060-50/3065-50/3060-60/3065-60 :  
 NET WEIGHT : 150KG  
 GROSS WEIGHT : 183KG  
 PACKAGE VOLUME : 1,64M<sup>3</sup>

## Model 3065-50



## Model 3065-60



### COLOURS FOR UPHOLSTERY & BACKING\*

- |                      |  |                |
|----------------------|--|----------------|
| CA - TOMATO**        |  | CLASSIC RANGE  |
| CB - FUCHSIA**       |  |                |
| CC - PLUM**          |  |                |
| CD - LEMON**         |  |                |
| CE - PEACOCK         |  |                |
| CF - SAPHYR**        |  |                |
| CG - MIDNIGHT BLUE** |  |                |
| CH - GLACIER         |  |                |
| CI - DARK            |  |                |
| 57 - ANTISTATIC      |  |                |
| CJ - GREY**          |  | ELEGANT RANGE* |
| CK - PLATINUM**      |  |                |
| EA - DEEP GREEN**    |  |                |
| EB - VEGETAL**       |  |                |
| EC - STORM**         |  |                |
| ED - SILVER BLUE**   |  |                |
| EE - PAPRIKA**       |  |                |
| EF - TWILIGHT        |  |                |
| EG - CAMEL**         |  |                |
| EH - CORK**          |  |                |

\* The Elegance range is subject to the application of a price supplement. Please refer to the price list.

\*\*Colour with matching backing. The other colours come with white backing.